

**ZENONE****ELETTRONICA  
AUTOMAZIONE  
STRUMENTAZIONE****ZENONE Elettronica S.r.l.**

Via Nazionale Pianopantano

83036 Mirabella Eclano (AV)

P.I. 02407830641

Tel. 0825449171 Fax 0825407907

# Series GI and GIS static current generators User's Manual

Release: 16, February 2009

Controls: Firmware version V4.1

Display: Firmware version V2.2

DSP: Firmware version V114

**This manual is an integral and essential part of the product. Read carefully and completely the warnings herein contained, they will provide important information regarding safety of operation and maintenance.**

**This equipment must be used only for the purpose for which has been designed. Any other utilization is improper and therefore potentially dangerous. The manufacturer is not responsible for improper, incorrect and unreasonable utilization of this equipment.**

**Any intervention on the equipment, that would cause a change in the structure or in the cycle of operation, must be performed or authorized by the technical department of Zenone Elettronica.**

**ZENONE Elettronica S.r.l.**

Via Nazionale Pianopantano 83036 Mirabella Eclano (AV)

Tel. 0825449171 Fax 0825407907

[www.zenoneelettronica.it](http://www.zenoneelettronica.it)[info@zenoneelettronica.it](mailto:info@zenoneelettronica.it)

## Attention

**This manual provides all the necessary information regarding the mode of operation of GI and GIS generator series. For the correct use of a specific equipment it is recommended to refer to the characteristics data sheet of the generator which is an integral part of this manual.**

Caltest Instruments GmbH

Kohlmatzstrasse 7 | Tel: +49(0)7842-99722-0

D-77876 KAPPELRODECK | Fax: +49(0)7842-99722-29

info@caltest.de | www.caltest.de

### Series GI and GIS current generators

The series GI and GIS current generators are static sources of constant current. They will supply the load with the value of current that has been set, independent from the value of the impedance<sup>1</sup> and the fluctuation of the power mains. They are used in test systems for switches, electrical contacts, measurement instruments and test for electric heating in general.

They can supply current at a variable frequency and/or DC, depending on the model<sup>2</sup> selected.

They will give the following information on the running test:

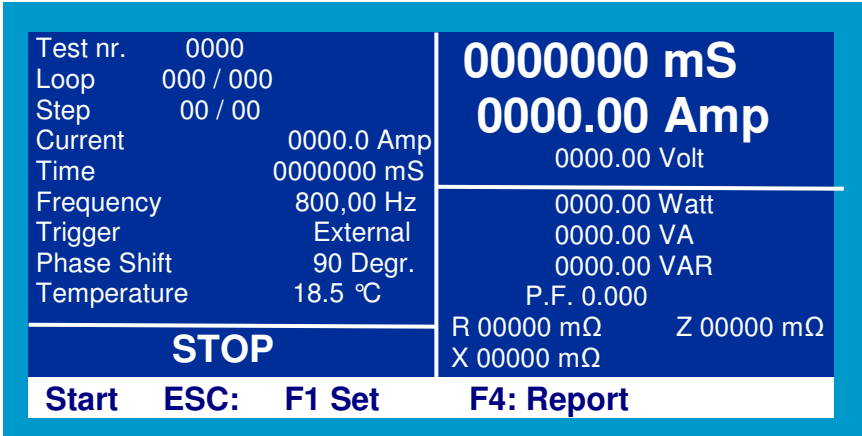
- Output current
- Time of supply
- Voltage on the load<sup>3</sup>
- Active power and reactive power consumption<sup>3</sup>
- Complex load impedance<sup>3</sup>
- Temperature of equipment under test<sup>4</sup>

They are able to sense an opening in the load circuit, and show the information on the display.

They can have more scales for better precision and for better adaptation to the load. Some models can be used in impulsive mode, in this case they can provide large amount of current for short time (SI models).

They can be used as amplifier to reproduce any arbitrary current waveform. They can be remote controlled by means of RS232 or RS485 serial interface.

- 1) According to the maximum output voltage allowed.
- 2) Only AC for GI models; AC and DC for GIS models.
- 3) With optional module
- 4) Optional



Main page display  
For devices equipped with the optional

## Introduction

Thank you for choosing our product. We invite you to read this manual thoroughly because here you can find the technical characteristics and all the necessary information for using this equipment correctly.

The information contained in this document is subject to change without notice and it is expected to be updated exclusively for the product for which is provided.

ZENONE ELETTRONICA is not liable for technical error, printing error or omissions that might be encountered in this manual; neither is responsible for accidental or consequential damages caused by the use of its product.

This guide provides specific information related only to the mentioned products.

No part of this manual may be reproduced in any form or by any means without our written consent.

The software herein described is provided with end user license, unless otherwise specified.

This technical document version voids and replaces all previous versions.

The products cited in this document could be trademarks and/or registered mark of respective manufactures.

## Summary

<b>1. Preface</b> .....	6
1.1 <i>How to use and understand the instructions provided in this manual</i> .....	6
1.2 <i>Operating on the equipment keyboard</i> .....	6
1.4 <i>Compliance declaration</i> .....	8
1.5 <i>Identification label</i> .....	9
1.6 <i>Panel integrating keyboard and display</i> .....	10
1.6.1 <i>Keyboard</i> .....	10
1.6.2 <i>BNC connectors</i> .....	11
<b>2. Preliminary operations</b> .....	11
2.1 <i>Working environment</i> .....	11
2.2 <i>Precautions</i> .....	11
2.3 <i>Switching on the generator</i> .....	12
2.4 <i>Presentation</i> .....	12
<b>3. Setup Menu</b> .....	13
3.1 <i>Inputs / Outputs</i> .....	14
3.1.1 <i>Inputs</i> .....	14
3.2 <i>Communication port</i> .....	15
3.3 <i>Password</i> .....	15
3.3.1 <i>Operators</i> .....	16
3.3.2 <i>Metrology technicians</i> .....	16
3.3.3 <i>Primary password</i> .....	16
3.4 <i>Report Setup</i> .....	17
3.5 <i>Options</i> .....	18
3.6 <i>Remote control</i> .....	18
3.7 <i>Power modules</i> .....	18
3.8 <i>System Date and time</i> .....	19
3.9 <i>Information</i> .....	19
<b>4. Test</b> .....	20
4.1 <i>Test parameters input</i> .....	21
4.2 <i>EXTRA parameters</i> .....	23
4.3 <i>Test start</i> .....	24
4.4 <i>Test cycle end</i> .....	24
4.5 <i>Test Report</i> .....	25
4.6 <i>Booster</i> .....	26
4.7 <i>DC Control (optional)</i> .....	27
4.8 <i>Loop operation.</i> .....	28
4.10 <i>Ramp mode</i> .....	30
4.11 <i>Output polarity (Only DC generators with double polarities)</i> .....	31
4.12 <i>Remote mode</i> .....	31
4.13 <i>PAUSE / RESUME function</i> .....	32
<b>5 Metrology</b> .....	33
5.1 <i>Current calibration</i> .....	33
5.2 <i>Voltage calibration (if optional measurement module is present)</i> .....	34

<b>6</b>	<b>Maintenance instructions</b> .....	<b>34</b>
<b>7</b>	<b>External connections</b> .....	<b>35</b>
7.1	<i>Sync signals (Trig)</i> .....	35
7.2	<i>DB15 I/O connections</i> .....	36
7.3	<i>DB9- RS485/RS232 serial connection</i> .....	37
7.3.1	<i>RS232 connection</i> .....	37
7.3.2	<i>RS485 connection</i> .....	38
<b>8</b>	<b>Fault and Failure signaling</b> .....	<b>39</b>
<b>9</b>	<b>Generator scheme</b> .....	<b>40</b>
<b>10</b>	<b>Control system</b> .....	<b>41</b>
10.1	<i>Control system block diagram</i> .....	41
10.2	<i>Control system description</i> .....	42
10.3	<i>Parameters function and definition</i> .....	43
10.4	<i>Fine tuning procedure for the control system</i> .....	45
10.5	<i>Technique for fine tuning the loops</i> .....	46
<b>11</b>	<b>GesPWM software</b> .....	<b>49</b>
11.1	<i>Connecting the equipment to a PC</i> .....	49

## 1. Preface

### 1.1 *How to use and understand the instructions provided in this manual*

In this manual have been used conventional keys to simplify and standardize the utilization and the control of our generators.

In this manual you can find also functions that might not be present on the equipment you have purchased; nevertheless proper information will tell you about eventual limitations.

This solution has been chosen for clarity and to better evaluate the functional characteristics available on all our products.

### 1.2 *Operating on the equipment keyboard*

- The **ENTER** key is used to confirm the typed instructions; therefore pressing this key the system will acquire the instructions.
- The **ESC** key is used to exit the menu or to abandon the data input.
- With the **function keys (F1, F2 etc.)** you get access to the system menu.
- The available options in the menus can be selected either with the navigation keys or with the encoder knob.
- The tactile keyboard, on the integrated panel, is an alphanumeric type and a pressure on the **↑ (Shift)** key enables alternatively the various functions.
- In some menus the possible choices are bind by preset values.
- The manual start or stop of current output takes place always after a pressure on the **“Start/Stop”** key.

### 1.3 *Safety instructions*

The following notes or graphic symbols list a series of instructions essential for the correct use of the equipments. Such information could be found, in graphic form, also on the equipment or used in the manual to focus the attention on the specific issue. It is highly recommended to read such instructions carefully before equipment installation.



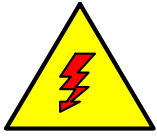
Do not install the Generator in environments with temperatures different from those allowed



Do not expose the Generator to direct sun light

Do not pour any kind of liquids on the Generator.  
In case of fire, use foam, CO2 or dry chemicals fire-extinguishers

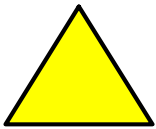
**Attention**



The lightning symbol within a triangle is a warning symbol that indicates the presence of “dangerous voltages” inside the equipment with risk of electric shock.



The exclamation mark within a triangle is a caution symbol that indicates the presence of important additional information for the correct use of the equipment.



The empty triangle is a caution symbol that indicates a danger of equipment damage if improperly used



The text that follows this symbol gives information, recommendations or other particular instructions for the correct operation of the equipment



The text that follows this symbol gives information, recommendations or other particular instructions in order to avoid danger and/or injury to personnel.



A proper disposal of the shipment packing is recommended

#### 1.4 Compliance declaration



#### **MANUFACTURER DECLARATION OF CONFORMITY**

The Zenone Elettronica Current generator :

**GI series**  
**GIS Series**

are herewith confirmed to comply with the requirements set out in the Council Directive on the Approximation of the Law of Member States relating to:

– **Electromagnetic Compatibility, Directive 2004/108/EEC**

EN 61000-6-1 - CEI EN 61000-6-1 (2° ed. 2007-10)  
Electromagnetic compatibility (EMC) - Part 6-1: Generic standards - Immunity for residential, commercial and light-industrial environments "

EN 61000-6-3 - CEI EN 61000-6-3 (2° ed. 2007-11)  
Electromagnetic compatibility (EMC) - Part 6-3: Generic standards - Emission standard for residential, commercial and light-industrial environments

EN 61326-1 :2006  
Electrical equipment for measurement, control and laboratory use - EMC requirements - Part 1: General requirements

– **Low Voltage Equipment Directive (2006/95/EEC) and EN61010-1 (“Safety of Electrical Measuring Apparatus”)**

Mirabella 01-10-2008

Zenone Elettronica S.r.l.

Luigi Zenone


Copyright Acknowledgement: EN publications are subject to the Copyright of IEC.



### 1.5 Identification label

Each device is identified by the following label.  
We invite you to consider the data shown in it as indispensable for the product traceability,  
and to communicate them for eventual request for support.

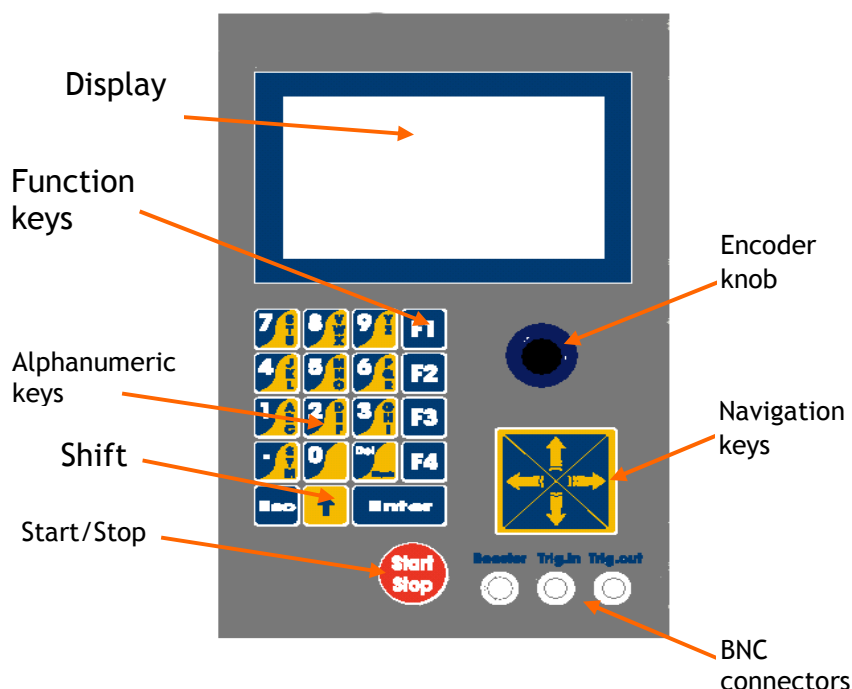
		<b>ZENONE</b> ELETTRONICA AUTOMAZIONE STRUMENTAZIONE
Model	_____	ver. _____
Serial no	_____	
Vin	_____	
Pin	_____	
Scale	_____	
Firmware	_____	ver. _____
Serial address	_____	
date of calibration/delivery	_____	
mod. INF 007		made in Italy



## 1.6 Panel integrating keyboard and display

The integrated panel can be deployed horizontally or vertically, in both cases the functionalities are the same.

The monochromatic display is a graphic type with resolution 240 x 128 dots, it allows the display of the setup menus and machine operational menus, moreover the numeric and graphical representation of results during and after the ongoing tests.



### 1.6.1 Keyboard

- The function keys (F1, F2, F3, F4) are used for the selection of specific functions shown at the moment.
- The “Enter” key is generically used for data input acquisition.
- The “Esc” key is used to abandon the menu or the data input.
- The “Del” key is used to cancel data just typed.
- The “Shift” ↑ key is used to switch from numeric keyboard to alphanumeric and vice versa (the selected mode will be shown on the display).
- The **Start/Stop** key allows the beginning or the end of a test session.
- The navigation keys, also in combination with the encoder knob, are used to scroll the reports, the menus, and to move around during values input.



**Note:** A malfunction of the keyboard/Display, or the removal of it from a generator equipped with removable keyboard, will stop the ongoing supply but will not shutdown the equipment. In these conditions the generators equipped with serial port and remotely controlled can be instructed to continue the operation. The aborted test will be canceled.

### 1.6.2 BNC connectors

**Booster** is used for external reference signal input. The specific functionality will be shown in details later.

**Trig. In** allows to input a sync signal for locking-up the internal signal generator.

**Trig. Out** is the internal generator trigger output.

For the characteristics and the functionalities of the above signals look-up in the specific sections.

## 2. Preliminary operations

### 2.1 Working environment

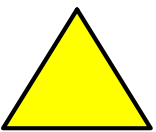
The Generator has been designed for indoor operation.

 + 5 °C °  + 40 °C



Place the device on a suitable support or on a plane surface for good stability. Be sure that proper ventilation is allowed and no objects obstruct the ventilation openings.

### 2.2 Precautions

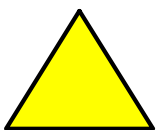


Operate the equipment at its rated power mains voltages, on earthed outlet only.

Fasten suitable cables or bars of adequate section on the output bolts, calculated on the bases of the generator functional characteristics.



**WARNING:** Power connections can generate high temperature spots, that could cause burnings.



**WARNING:** All standard generators are supplied with output **FLOATING**, not connected to any potential (unless otherwise specified); at the moment of installation the output **MUST BE CONNECTED TO GND OR TO ANY POTENTIAL**. Maximum allowed voltage on the output bolts, when not connected to earth, is 300VAC.

### 2.3 Switching on the generator

Connect the generator to the power mains, ***it is recommended to follow the instructions given on the equipment regarding voltage, frequency and earth connection***, then turn on the power switch, that could be located on the back panel or by the cabinet side depending on the type of device.

In some models the power-on command can be part of an external power supply frame. In some cases the integrated console, keyboard/display, can be connected to the cabinet by means of an external cable.

At system power-on an auto-diagnostic routine is started for testing the most important functionalities and detecting eventual faults.

In case of failure or malfunctioning, you must inform us in advance before you send the equipment to our laboratories.

### 2.4 Presentation

At power on, after the auto-diagnostic test, on the screen appears the following mask that displays the generator model and serial nr., the software versions, date and time.

On the task bar are shown the possible operative functions.



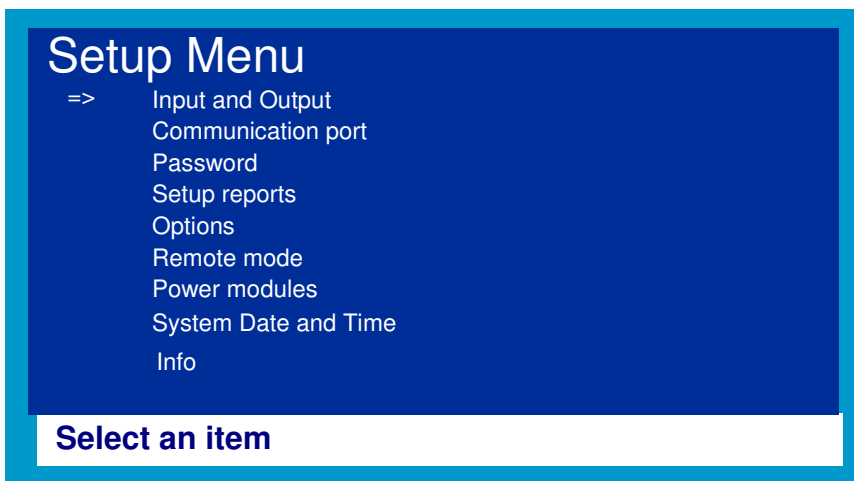
Pushing one of the shown keys the relative operative function is selected.

The access is granted after a valid password has been entered. At the time of shipment the password "0000" is authorized, such password identifies the machine administrator which has full operative access in all menus.

It's advisable therefore to enter the **SETUP** menu, pushing the **F2** key, to enable the access codes for other operators, eventually to change its own password, or to set more desired options.

### 3. Setup Menu

Once **F2** is pressed and the required password is entered, the following menu is available:



Select the desired operation moving the pointer with the navigation keys or with the knob, and then press **Enter**.

Press **ESC** to exit the menu.

Follow this procedure to make selections in all menus.



Note: some selections may not be possible on the specific device.

### 3.1 Inputs / Outputs

Inputs / outputs	
<b>Input</b> -----	<b>Action</b> -----
1)	Start Test
=> 2)	Stop Test
3)	Start/Stop Test
4)	End Test
<b>Output</b> -----	<b>Status</b> -----
1)	Test running
2)	Test params OK
3)	End Test
4)	Ext. Buzzer
<b>Select an input or output</b>	

The device is equipped with 4 digital inputs e 4 digital outputs, whose electrical characteristics are described in a later paragraph.

At each one of the four inputs it's possible to assign a specific action and at each one of the four outputs it's possible to assign a machine status notification.

Selecting an input or an output with the cursor, and pressing **Enter**, then it's possible to select the action or status to assign.

#### 3.1.1 Inputs

At each input can be associated a machine action:

Assigned function	Description
<b>Start Test</b>	Starts the current supply.
<b>Stop Test</b>	Stops the current supply.
<b>Start/Stop Test</b>	Starts and/or stops the ongoing current supply.
<b>Start Consent</b>	Allows to start the current supply only if the associated input is active.
<b>Test End</b>	Simulates the opening of the circuit under test and stops the ongoing current supply. The test result will be "TRIP"
<b>Status (1 to 4)</b>	At the end of the test the state (logic level) of this input is captured and recorded in the report.
<b>PAUSE</b>	Allows to interrupt the current supply (and record the event in the report) until the activation by an input RESUME.
<b>RESUME</b>	Allows to resume the current supply, previously stopped by an input PAUSE, from the succeeding test phase.
<b>ENABLE</b>	Current is supplied only if the associated input is active



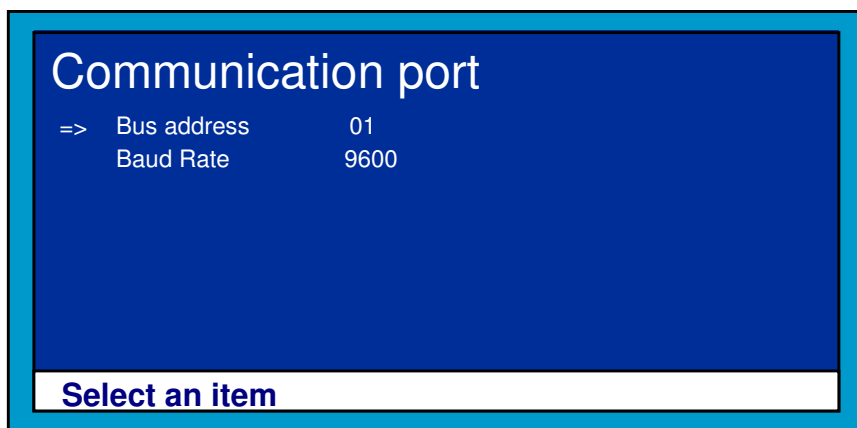
**Attention:** it is not possible to assign the same action to two or more inputs, the software will not allow it.

### 3.1.2 Outputs

At each output can be associated a machine status:

Assigned function	Description
Data entered	It means that the data entered are sufficient to start a current supply
Test started	The device waits for an external enable to start the current supply
Ongoing test	The generator is supplying energy
Abnormal status	The generator has stopped the current/voltage supply for a non expected external event, for example: Trip, Overload, etc.
Failure	It shows a device malfunctioning
Test End	It means that the test cycle has finished correctly
External buzzer	It allows to use a remote acoustic device

### 3.2 Communication port



The generator is equipped with an RS485 serial communication port, which allows to connect a maximum of 32 devices on the same 2 wire line, and with an RS232 serial port for PTP connections. **The two serial ports can be used alternatively, one or the other.** The address Bus is used to identify each device and accepts values from 1 to 32. Baud Rate is the transfer speed and is selectable from 4800 to 57600 baud; it is possible to select with the cursor the desired baud rate among those available.

### 3.3 Password

The device is equipped with a more levels password system, this allows a partial or a total access to the various functions. It's possible to define them on the bases of:

- Operators
- Metrology technicians
- Main password (for machine administrator)



Note: It's possible to disable the password management completely, entering a "null" password as administartor.

### **3.3.1 Operators**

The names and the codes to be linked with the operators (max. 10) must be defined; such operators are enabled only to run the tests.

The numeric code, max. 4 digits, is the access password used by the operators while the name, max. 10 characters, will be written in the test reports.

### **3.3.2 Metrology technicians**

The names and the codes to be linked with the technicians (max. 10) must be defined, such technicians are enabled only for equipment verification and calibration.

The numeric code, max. 4 digits, is the access password used by the technicians while the name, max. 10 characters, will be shown on the calibration mask.

### **3.3.3 Primary password**

The primary password (administrator) enables the access to all functions: menu, test and calibration.

In this menu it's possible to change the password, entering a 5 digit (max.) code and reentering it for confirmation.



Note: To define a “null” password just press **Enter**, without typing anything, when a new password is asked for.

On request it's possible to implement a super password in the management software, defined in the factory and not changeable, useful in case more equipments are purchased and it is wished to access all devices with only one code, independently from the single passwords.



### 3.4 Report Setup

Defines the different modes for recording and/or deleting test reports.



- Circular archive(Yes/No): Enables to save the test results in rolling mode.

If “Yes”, when the record is filled-up with test reports (max. 400), the operation goes on overwriting the older reports. An asterisk near the wording “F4:Report” in the test mask means that overwriting has occurred.

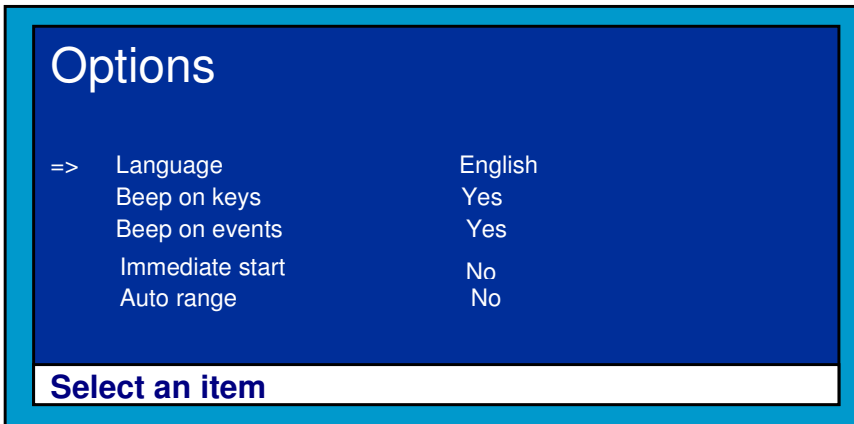
If “No”, When the record is filled-up no other tests will be saved. In this case an exclamation mark near the wording “F4:Report” in the test mask means that no other test reports are memorized.

- Remote clear (Yes/No): Enables or disables the possibility to delete the reports from the memory with a remote command (ex: from a Personal Computer).
- Clear archive: Deletes all records completely, emptying the entire archive definitely and bringing back to zero the test counter.
- Show reports: Allows a direct access to the report display menu.



This menu is accessible only to the administrator, therefore no one can delete the records.

### 3.5 Options



In this menu it's possible to select the language (Italian or English); it is possible to enable or disable respectively the beep on the key, being pressed (Beep on keys), and/or at the appearance of an event (Beep on events).

The option "Immediate start"

- If "Yes" is selected, the current supply starts immediately after the start key has been pressed (or external consent is given).
- If "No" is selected, the output begins only when the mains, or power supply, crosses the zero.

The last option "Auto range", if enabled, causes the automatic change of scale during the test, this means that the change of the output value, done by means of the encoder knob (or by means of a reference voltage on devices equipped with DC Control), will extend over the entire range of the equipment operation.

If this function is disabled the change of the output value will occur only within the range of the selected scale.

### 3.6 Remote control

At the moment this item has not been implemented.

### 3.7 Power modules

Some devices are equipped with power modules for power supervisory; with this menu it's possible to check some functional parameters.

- FW version: Firmware version of the supervisory module.
- AC voltage: Mains supply voltage (in some cases this value is always at 0).
- DC voltage: Power bus voltage.
- Temperature: Power module temperature.

If the device is equipped with more power modules, each one has a dedicated page and by means of the arrows it's possible to visualize their information.



For devices not equipped with supervisory modules, this menu is not implemented.

### 3.8 System Date and time

System Date and Time			
=>	Year	Month	Day
	2008	January	02
	Hours	Minutes	Seconds
	10	32	47
<b>Select or ESC: Menu</b>		<b>F1: Update</b>	

With the cursor select the parameters to update, type-in the correct value and press **Enter**.

Press **F1** to update the system clock.

### 3.9 Information

This menu provides some functions that are relative to the equipment being used, among which the device activity counter (hours).

If wished press **F1** to clear it.

## 4. Test

On the bases on the type of construction and configuration, our generators can do the following:

- Supply alternate and/or direct constant current.
- Continuous mode output or impulsive mode output (on **SI** models but for limited time and with maximum output power automatic limitation).
- Supply current for periods of time settable by the user and make cyclic repetition of the programmed process.



**Warning:** In a process with sequential current outputs (in more steps) the firmware will introduce, if expected, minimum intervals of time necessary for cooling (see technical characteristics of **SI models**).

- Allow to change the intervals of time, between one process and the next, by 1 sec minimum.
- Generate power supply loops.
- Simulate cycles with power dropouts (output at 0) for intervals of time defined by the user.

In the following pages, the words **STEP** and **CYCLE** are mentioned frequently, therefore an explanation is given on their meaning right below:

**STEP:** For **STEP** we intend a current output for a defined period of time.  
As we'll see later it's possible to define more steps.

**CYCLE:** The **CYCLE** is a set of one or more steps that are executed one after the other when a test is started. It's possible to define to run the same cycle a certain number of times (or even forever).

Press **F1** to enter the test mode; once the operator password has been recognized, the system will display the parameters setup of the last test session. Move the cursor, with the knob or with the navigation keys, to select the items to be changed with the new settings.

#### 4.1 Test parameters input

Parameters					
Test nr.	1	Operat.	John		
		Code	XYE		
		Remarks	abcd		
Temperature:	20,7				
Cycle nr.	10	Pause:	1 sec		
Step	Mode	Current	Range	Time	->
=> 1)		8 Amp	1	10 Sec.	
2)		10 Amp	1	10 Sec.	
3)		12 Amp	1	10 Sec.	↓
<b>Start      F1: Booster      F2: Extra      ESC:Menu</b>					

- The field **Operat.** shows the name linked to the operator code.
- The field **Code** allows to enter 12 alphanumeric characters (will be written back in the report).
- The field **Remarks** allows to enter 12 alphanumeric characters (will be written back in the report).
- The field **Temperature**, available only on some generators equipped with the optional measurement module and the probe PT100, shows the ambient temperature.
- The field **Cycle nr.** defines the number of times the process has to be repeated. With 0 the cycle is repeated indefinitely.
- The field **Pause** defines the interval of time between **cycles**, expressed in the unit selected by pressing **F3**. Intervals of time less than one second (1 sec.) are not allowed. If the **Cycle nr.** is set to 1, the field **Pause** will not be shown.

It starts here the definition of the actual supply cycle, which can be divided in more steps. For each step several parameters must be defined.

- **Step:** depending on the model it's possible to set from 1 to 30 steps. An arrow in the bottom right hand corner shows the availability of more steps.

- **Mode:** In this field it's possible to select:
  - with F1 the loop operation
  - with F2 the ramp operation
  - with F4 the output polarity, positive or negative (if the generator is designed to supply DC power with the possibility of negative output).
- **Current:** In this field the value of the output current must be entered within the range suggested by the status bar. On some equipments, pressing F3, it's possible to change the unit of measurement (mA, A).
- **Scale:** This field, available on some equipments only, shows the scale selected by default for better precision. It's possible to change the scale but the precision could be impaired.
- **Time:** This field allows to set the length of time for the current output. Pressing F3 it's possible to change the unit of measurement (mS, Seconds, Minutes, Hours).



*Note:* If the **current** is set to 0, a power drop-out is produced for the length of **time** defined in that step, if instead the **time** is set to 0, the current output goes on indefinitely (the steps that follow will not be executed).  
If both **time** and **current** are set to 0, the step sequence is ended.

## 4.2 EXTRA parameters

Depending on the type of equipment, pressing **F2**, an additional page of parameters could be available.

- **Generator Mode** allows to select the AC or DC output (available only on some equipments).
- **Trigger** allows to synchronize the zero-crossing of the output current:  
**Internal** (if the power mains synchronism is provided).  
**External** (by means of **TRIG IN** input).  
**Automatic** (free running).
- **Frequency** Output current frequency (selectable on the bases of the Trigger and the specific characteristics of the Generator).
- **Phase shift** Sets the phase shift from 1 to 359° between the trigger and the zero-crossing of the output current (not possible with automatic trigger).
- **Enable NO CURRENT** If active (yes) stops the current supply if there is no load.
- **Delay after TRIP:** Allows to delay the interruption of the current output with respect to an external signal of **TEST END**.
- **AUTO-RESUME time:** It's possible, if other than zero, to resume the output after some delay (max. 999999 ms) when the equipment is in the **PAUSE** state (look at **PAUSE/RESUME** function).

Press **ESC** to return to the **PARAMETERS** page.

Once the setup as been completed it's possible to start the test by pressing the **START/STOP** key.

### 4.3 Test start

Pressing **START** the current output is initiated and the display will update in real time the various numeric indicators.

The amount of information displayed depends on the type of equipment.

While the output is active it's possible, after pressing **F1**, to change the value of the **current** with the encoder knob.

Rotating the knob, the numeric value shown can be changed more or less rapidly, according to the speed of rotation. Further, moving the cursor with the right/left arrow, the change can be done in units, tens, etc..

Pressing **F1** again, or at the end of the step, the manual change mode is abandoned.

**Note: This function is not compatible with short time outputs.**



Note: If the item "Auto range" in the menu SETUP-OPTIONS is enabled, going over the scale range manually, we step into the next scale, therefore the maximum value that can be reached is the maximum allowed.

### 4.4 Test cycle end

At the end of the step sequence, or if the circuit opens (TRIP), will be shown on the display, and stored in the test report archive, the test setup, the result and the measured values.

If the programmed step sequence is terminated correctly and the number of **cycles** to be executed is greater than one, the cycle will be repeated automatically after the time being defined in **pause** is elapsed.

It's possible to stop the current output at any time by pressing **START/STOP** key. In this case no information is stored in the report.

Pressing **F1** one goes back to the test parameters; pressing **F4** the test reports are displayed.



Note: an eventual asterisk beside "F4: Report" means that the maximum number of stored tests has been exceeded, therefore the older one will be overwritten. An exclamation mark means that no new test will be stored until the previously memorized tests are deleted.



#### 4.5 Test Report

Pressing F4 the test reports page is displayed.

The screenshot shows a 'Test Report' screen with a dark blue background and white text. The title 'Test Report' is at the top left. To its right, 'Test number' is displayed as '7', with '1 -> 7' below it. The main area contains the following data:

Date	2008 July 05
Hour	16:10:17
Operator	John
Code	
Remarks	
Test value set	15000.0 Amp
Current	15033.0 Amp
Time	1 sec
Result	TIMEOUT

At the bottom, there is a navigation bar with the following controls: '<-: Prev.', '->: Next', '↓ / ↑: UP/DN', and 'ESC: Exit'. A small '+' sign is visible at the bottom right of the data area.

The report is arranged in a page where the items are displayed moving the knob or pressing the navigation keys.

The **Test number** shows the number of the test that is displayed, the two digits right below show the field of progressive report numbers that can be displayed, acting on the **left/right arrows**, from the first stored to the last.

The **date** is shown in the european format: year, month, day.

**Code** and **Remarks** show the data entered by the operator.

**Test value set** shows the current value that has been entered.

**Current** shows the value actually measured.

**Time** shows the effective time elapsed for the current output.

**Result:** gives **Timeout** if the step sequence is terminated regularly;  
gives **TRIP** if the circuit under test opens before time previously set;  
gives **Pause** if a command from an input that has been programmed so.

**Delay after TRIP** is a time value settable by the user, it allows to delay the interruption of the current output with respect to an external signal of TEST END.

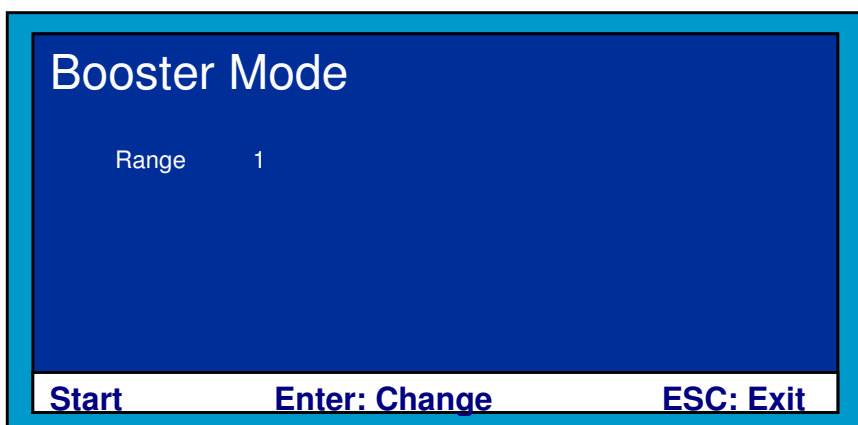
**Status inputs** shows the state of eventual inputs, that have been programmed as such.

**Pause between cycles** and **Cycles number set** are respectively test parameters.

**Temperature** (if the measurement module is present) shows the measured temperature at the end of the test.

#### 4.6 Booster

The booster mode enables the generator to work as a power amplifier and can be activated directly from the parameters page by pressing the function key F1.



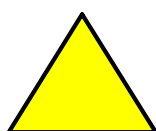
Set the scale, selecting the one that suites better.

Connect the signal generator to the Booster observing the following parameters:

- Analog input: 0 ... 10 Vpk (20 Vpp).
- Minimum input impedance: 1 K $\Omega$ .
- Bandwidth: DC, 10 ... 1000 Hz.

With an input of 10 Vpk the maximum current output can be obtained, within the range of the selected scale.

Note: In Booster mode the automatic gain control is disabled, therefore when the frequency varies the effective output level can change.



**ATTENTION** In this mode, in order to avoid to go over the maximum possible energy that can be supplied by the impulsive type generators (model SI), the firmware will control the length of energy supply in the “time limited zone” according to the Constant Energy characteristic.

Therefore it's possible that automatic interruption can be introduced to allow the necessary system cooling.

It's advisable to use the booster mode with currents and powers limited to the maximum values allowed for continuous operation.



**Warning:** In the generators that are capable to deliver high intensity currents, the values shown on the display, that are below the minimum, must be considered “noise” therefore equal to zero.

#### 4.7 DC Control (optional)

The generators can be equipped, on request, with “DC Control” mode, which substitutes the BOOSTER mode.

In this case, connecting a DC control signal (from 0 to 10V) to the “Booster” input, it’s possible to control directly from the outside (for ex. with a PLC) the intensity of the current output, without acting on the front panel knob.

It is during the setup of test parameters that can be decided to use the equipment in the “Normal” mode or in the “DC Control” mode by pressing the key **F1**.

If “Normal” mode is selected, it’s valid what previously stated: setup one step after the other for current, time, etc.....

If “DC Control” mode is selected, then can be specified only the scale (if the “Auto range” option is disabled in the menu “Options”) and the maximum time for the current output.

The items in the menu “F2:Extra” are available in both cases.

Pressing **START** begins the current supply, that is proportional to the dc voltage applied.

If “Auto Range” is disabled, to a 0V dc signal applied will correspond an output of 0 Amp and to a 10V dc will correspond the maximum amount that can be delivered for the selected scale.

If the option “**Auto Range**” is enabled, to a 10V dc signal will correspond the maximum possible output that the equipment can deliver.

The response time, due to a change in the applied control voltage, is about 100 ms measured from the moment when the new value is stabilized.



**Warning:** If the “Auto Range” is used, the current output is interrupted for 400 milliseconds every time the scale is changed.

#### 4.8 Loop operation.

This operation mode allows to run two or more output steps repeatedly and without pauses, for unlimited time. The differences with respect to the cycle operation are:

**Cycle operation:** At the end of the defined steps the test report is recorded, the display is updated with the result, a pause is inserted (min. 1 sec.), the cycle is repeated.

**LOOP operation:** When the LOOP instruction is reached, the test report is **NOT** recorded, the display is **NOT** updated with the result, the same sequence is repeated immediately.

Parameters					Operat. Master Code
Test nr.	948				Remarks
Cycles nr.	1				
Step	Mode	Current	Range	Time	
=> 1)		30 Amp	2	1 Sec.	
2)		120 Amp	2	2 Sec.	
3)	LOOP				
4)		0 Amp	2	0 Sec.	
5)		0 Amp	2	0 Sec.	
<b>Start</b>	<b>F1:Booster</b>	<b>F2: Extra</b>	<b>ESC:Menu</b>		

How to operate:

Set the current output steps (at least 2).

Set the cursor at the end of sequence (in this case on step 3), press **ENTER** to confirm, press **F1** to activate the LOOP mode.

Press **Start/Stop** to run the test.

To stop the loop operation press **Start/Stop**.

To cancel the LOOP mode, press **F1** to go back to the parameters mask, set the cursor on the loop step, press **Enter** and then **F1**.



**Attention:** Setups that require a change of scale between one step and the other generate an output drop-out of 400 ms due to switching time.

#### 4.9 Operation with output drop-outs

The equipment allows to introduce output current drop-outs (output equal to ZERO) of 1ms minimum, (If though between the previous step and the next a change of scale is expected, the minimum drop-out time is 400ms).

Parameters					Operat. Master Code	Remarks
Test nr.	8					
Cycle nr.	1					
Step	Mode	Current	Range	Time		
=> 1)		30 Amp	2	1 Sec.		
2)		120 Amp	2	2 Sec.		
3)		0 Amp	2	30 ms		
4)		50 Amp	2	1 Sec.		
5)		0 Amp	2	0 Sec.		
<b>Start</b>		<b>F1:Booster</b>	<b>F2: Extra</b>	<b>ESC:Menu</b>		

In the example shown above, after a current delivery of 120A for 2 sec. (step 2), a 30 ms current drop-out will occur (step 3), followed by a further current output of 50A for 1 sec (step 4).

#### 4.10 Ramp mode

This mode allows to generate current outputs in a linear ramp fashion, with increasing or decreasing current values and settable ramp timings (optionally are also possible a maximum of 8 different exponential ramps).

Parameters						Operat. John
Test nr.	948					Code XYE
Cycle nr.	1					Remarks
Step	Mode	Current	Range	Time		
=> 1)	R	30 Amp	2	1	Sec.	
2)	R	120 Amp	2	2	Sec.	
3)		0 Amp	2	30	ms	
4)		50 Amp	2	1	Sec.	
5)		0 Amp	2	0	Sec.	
<b>Start</b>						<b>F1:Booster</b>
						<b>F2: Extra</b>
						<b>ESC: Menu</b>

How to operate:

Set the cursor on the step where the ramp has to be activated and press **ENTER**.

Press **F2** once to select linear ramp ("R" will be shown in the "Mode" field), press **F2** a second time to select exponential ramp ("Re" is shown in the "Mode" field if the machine is equipped with this option). Press **ENTER** again for the other parameters.

Press **START/STOP** to start the current output.

In the first step, of the example shown above, the generator will start the output with the minimum amount possible and then reaches, in a linear ramp mode, the set value (30A) in the time assigned (1 Sec.).

In the second step the output will start from the value reached in the previous step and then reaches, in a linear ramp mode, the value of 120A in 2 Sec.



**WARNING:** in the current generators the event "TRIP" will stop any programmed sequence.

Note: In the steps where the RAMP mode is active, it is not possible to set infinite time.

The ramp mode cannot start from a scale (ex. scale 1) and terminate in the next step with another scale (ex. scale 2). Further in the DC generators with double polarity, it's not possible to start a ramp with a voltage polarity and terminate it with the opposite polarity. Use two separate ramps (for the positive part and for the negative part) with a step at zero in between.

#### 4.11 Output polarity (Only DC generators with double polarities)

In current generators, capable to supply power with both polarities, it's possible to define the polarity at each step.

Parameters					Operat. John
Test nr.	8				Code XYE
Cycle nr.	1				Remarks
	Step	Mode	Current	Range	Time
=>	1)	+	30 Amp	2	1 Sec.
	2)	-	120 Amp	2	2 Sec.
	3)	+	0 Amp	2	30 ms
	4)	+	50 Amp	2	1 Sec.
	5)	+	0 Amp	2	0 Sec.
<b>Start      F1:Booster      F2: Extra      ESC: Menu</b>					

How to operate:

Set the cursor on the step where the polarity is intended to be changed and press **ENTER**. Press **F4** (the polarity will be inverted) and then enter the other step parameters.

#### 4.12 Remote mode

With this option it is possible to control the generator from a Personal computer by means of the serial communication port RS485 or RS232. This mode is entered directly from the initial display mask pressing **F4**.

REMOTE CONTROL	
<b>F1: Active                      ESC: Menu</b>	

Press **F1** to activate the remote control. The equipment will not allow any other operation locally.

To resume local control press **F2** and then **ENTER**.

#### 4.13 PAUSE / RESUME function

If the digital inputs are adequately programmed (see the relative section) it's possible to accomplish the **PAUSE / RESUME** function.

The activation of an input **PAUSE** will cause the interruption of the current output and the data produced at the moment will be recorded in the test report.

Differently from **STOP**, in this case it's possible to resume the output in two ways:

- With the **START/STOP** key or a "**START**" input or a "**START/STOP**" input or a **remote START**, as normally happens with a new cycle.
- From the next step by means of a **RESUME** input or after some Auto-RESUME time (to be defined in the page relative to the EXTRA PARAMETERS of the test).

Obviously this means that more current output steps must be defined. The situations that could arise are:

- If a successive step is defined, the output resumes from it.
- If a successive step is not defined, nothing happens.
- The successive step is not defined, but has been programmed the execution of a number of cycles other than 1, the output then resumes from the first step of the successive cycle.
- LOOP is active in the next step, the output resumes from the first step.

Further, if it's wished to abandon the PAUSE status, without initiating a new current supply, it's possible to activate a STOP input or to send a remote STOP.



**NOTE:** When the function PAUSE is activated the test report is produced, therefore if the output is restarted with RESUME the test number is automatically incremented.



## 5 Metrology

The installed software allows periodic metrological controls by technicians enabled by the administrator.

Before the metrological verification is started, the test circuit must be set up using measurement instruments with a precision class superior to that of the generator (see the technical characteristics).

To enter the calibration menu, press **F3** in the main display mask, type the password and press **ENTER**.

If the ambient temperature measurement module is present with PT100, the measured temperature will be shown in the top right hand corner of the display. This value is continuously updated if shown on a white background, on the other hand if it's shown on a blue background will be the last measured value.

### 5.1 Current calibration

Connect a short circuit (a cable of adequate section) between the output generator clamps.

- 1) Select the scale (range) and press **Enter**.
- 2) At the request "Set", the full scale current value will be shown by default, It's possible to change it if wished. Press **Enter**.
- 3) Press **START/STOP** to start the output, or press **F3** to recall the factory **DEFAULT** values.

The generator will deliver the current value entered for about 10 sec.

Read the value measured with the reference instrument and, if different from the one previously entered, press **F1** to proceed for the correction and enter the value just measured.

Press **ESC** to continue with the next scale (range).

### **5.2 Voltage calibration (if optional measurement module is present)**

Connect the output generator clamps to a load adequate to the scale that has to be calibrated, taking care not to go over the maximum apparent power the generator can supply.

- 1) Select the scale (range) and press **Enter**.
- 2) At the request "Set", the default full scale current value will be shown, change it according to the load in order to get the wished voltage. Then press **Enter**.
- 3) Press **START/STOP** to start the current supply, or press **F3** to recall the factory **DEFAULT** values.

Read the voltage value measured with the reference instrument and, if different from the one shown on the display, press **F2** to proceed for the correction and enter the value just measured.

Press **ESC** to continue with the next scale (range).

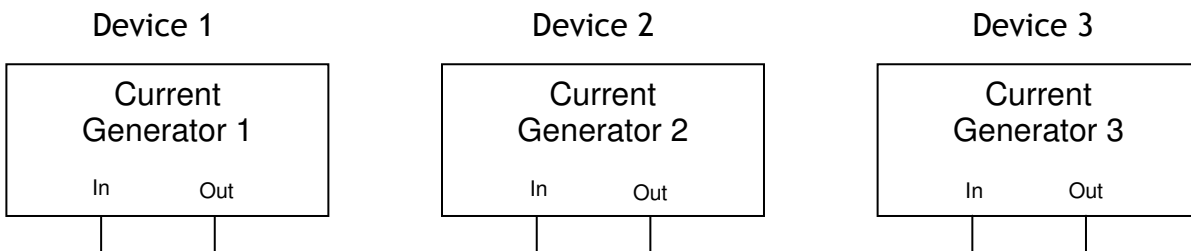
## **6 Maintenance instructions**

- Check periodically the ventilation openings, clean them and/or substitute the filter;
- Do not use solvents to clean the keyboard and the display;
- Check periodically that the connection bolts on the power outputs and the external test circuit are tighten;
- Check that the fans work correctly.

## 7 External connections

### 7.1 Sync signals (Trig)

The generator is equipped with two sync signals "Trig. In" and "Trig. Out", these allow to assemble three-phase systems, voltage generators synchronized with current generators, generators connected in parallel, etc.



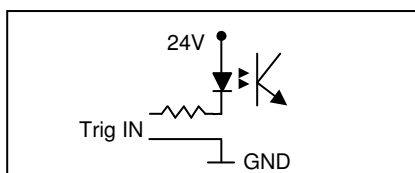
Example of a three-phase system:

The device nr.1 is set up, in the Extra parameters of the menu "Test", with trigger internal (if present) or auto.

The devices nr. 2 and 3 are set up with trigger external and 120 degrees phase shift, so that the internal generator is 120 degrees out of phase with respect to "Trig. In", while the signal "Trig. Out" is always in phase with the internal generator.

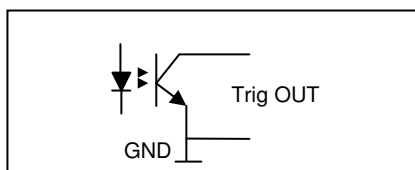
Electrical characteristics:

- Trig. In: Accepts an open collector input signal (max. 10 mA).



Trig IN diagram

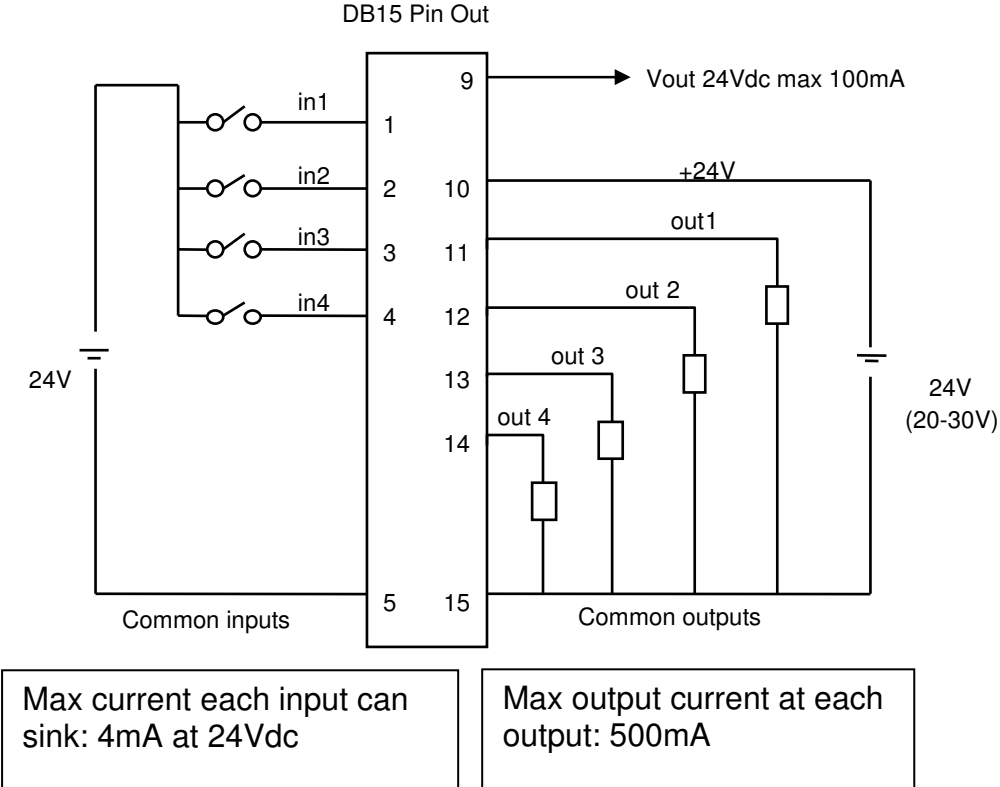
- Trig. Out: It's an open collector output signal. Maximum voltage at the terminals 50V, maximum current 20 mA.



Trig OUT diagram

**7.2 DB15 I/O connections**

This connector allows to use 4 inputs and 4 outputs opto-isolated and programmable (as defined in the specific section).



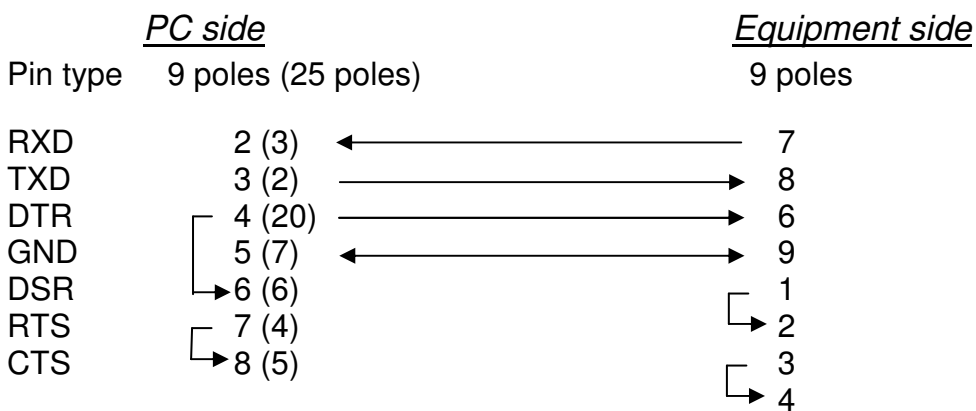
The 4 inputs refer to a common pin (pin 5), which is galvanically isolated with respect to the common output pin (pin 15). It's possible to connect them together if wished. In order to work correctly the outputs need a 24Vdc voltage, capable to supply the total current (500 mA max X 4). If wished it's possible to use the voltage available at pin 9, if the total current of 100 mA is sufficient.

### 7.3 DB9- RS485/RS232 serial connection

This connector allows to connect the equipment to a PC with a dedicated cable (RS232 mode) or using a RS232/RS485 converter cable.

#### 7.3.1 RS232 connection

In order to connect a device directly to the RS232 serial interface of a PC it is necessary to make a special cable with the following connections:



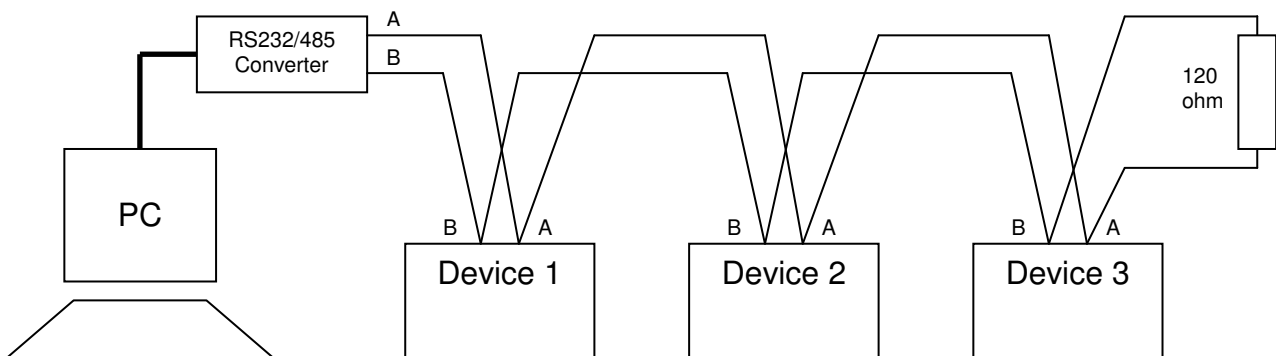
**Attention!** This connector, being adaptable to both interfaces, it's not compatible with standard cables.

### 7.3.2 RS485 connection

In order to connect, on the same serial line, one or more devices (max 32) to a PC RS232 serial port, it's necessary to use a RS232/RS485 converter. In this case the following pins on the equipment connector must be used:

Pin 1	A
Pin 2	Res. 120 (1)
Pin 3	Res. 120 (2)
Pin 4	B
Pin 5	GND

It is possible then to put together this type of system, taking care to terminate the line with a 120-ohm resistor.



It's possible to use, as terminal resistor, the one already connected between pins 2 e 3 of the RS485 connector on board on each equipment.

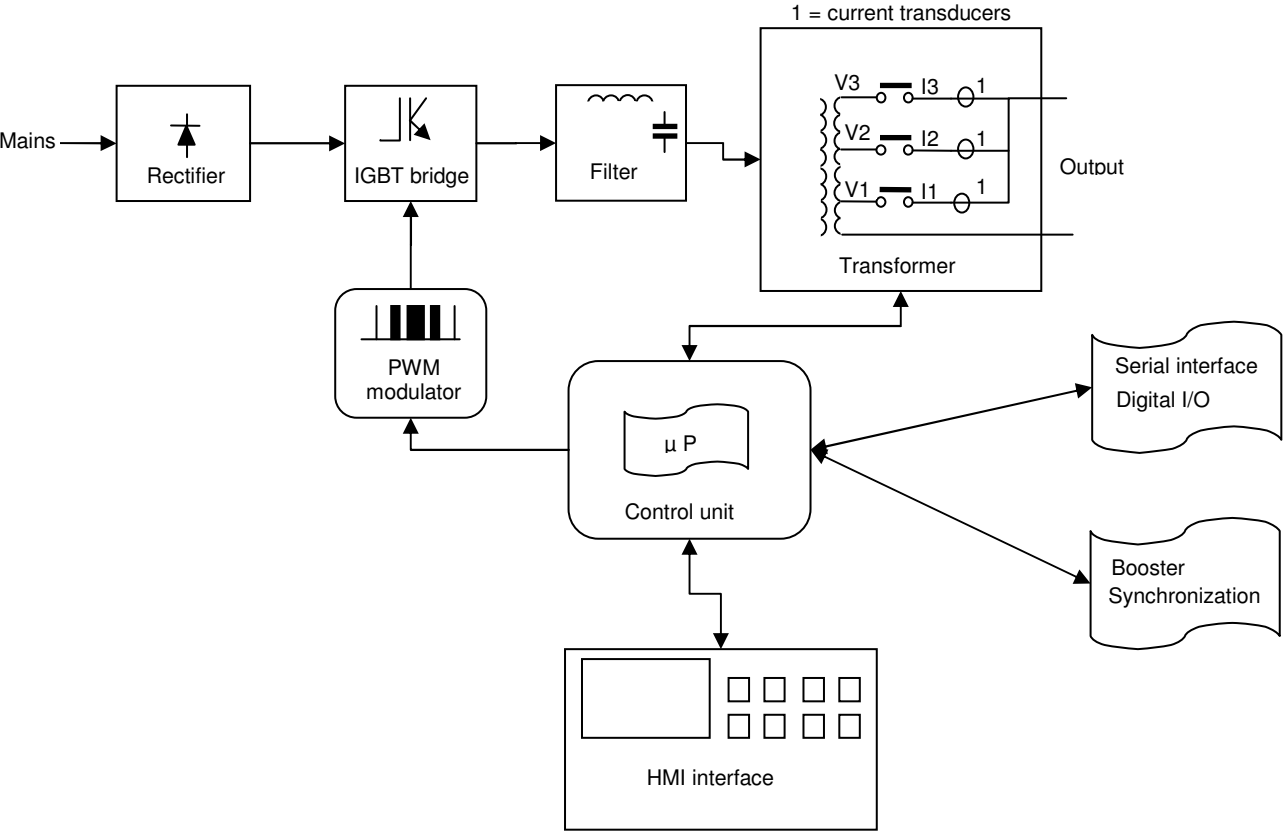
## 8 Fault and Failure signaling

The generators are equipped with system auto-diagnosis and in case of anomalous event they stop the supply and an error message is shown on the display as in the table below:

Signaling	Cause	Action
Over-temperature	Heath-sink temperature out of limits	Shut down the equipment and wait few minutes. If the fault persists, check the ventilation ducts, they must be clear, and make sure that the fans work properly.
Under-voltage	Supply voltage from the power mains too low <350V	Check the power mains voltage or the presence of all three phases
Over-voltage	Power mains voltage too high >460V	Check the power mains voltage or eventual regeneration from the load
Current limit	Current output over the maximum value allowed	Check the load or the regulation parameters
Thermal sensor	Fault in the temperature measuring circuit	Call the assistance
Fault signal	IGBT failure	Call the assistance
Pre-charge	Error in the capacitors pre-charge circuit	Check that the pre-charge relay works correctly
Overload	The power supplied is over the maximum allowed	Reduce the load

If the malfunctioning has not been fixed, please contact the assistance.

**9 Generator scheme**



Current generator model GI 3 scales - Block diagram

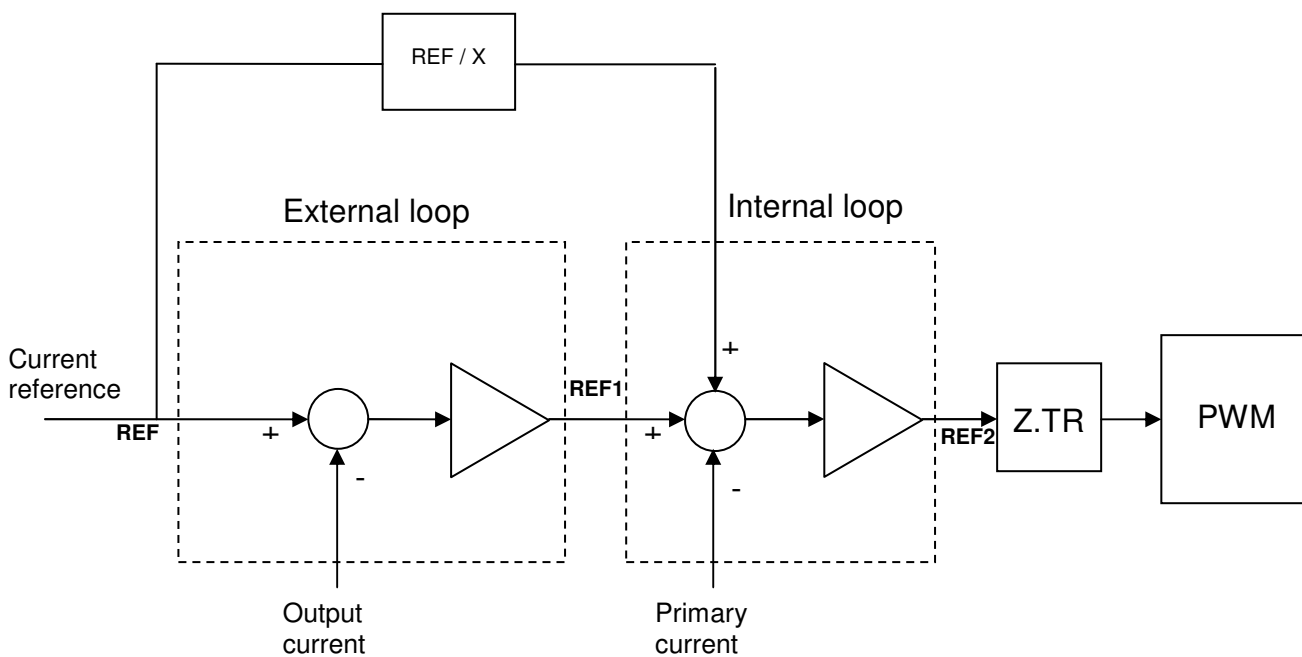


## 10 Control system

The current generator is equipped with a sophisticated digital control system, which has to keep the current output constant independently from load change and mains variations. The regulation is based on two PID algorithms in sequence and named: “External” with feedback current taken at the output, “Internal” with feedback current taken before the filter.

The following figure shows the principle of operation

### 10.1 Control system block diagram



The control loops are adjusted in production in order to achieve a good compromise between speed and stability for the majority of loads, in some cases it might be necessary to modify some parameters for the following reasons:

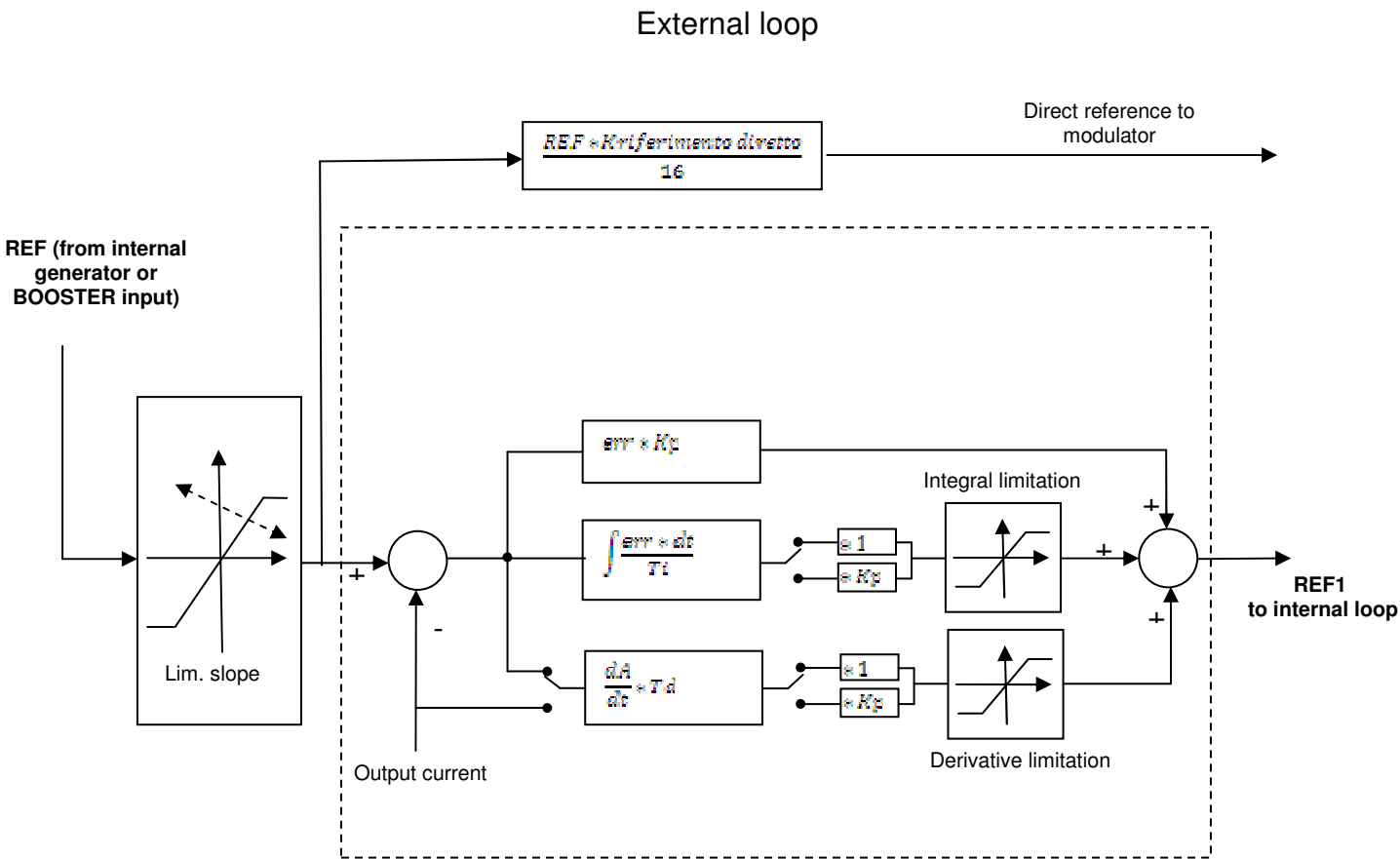
- Oscillations due to a type of load too reactive
- To enhance the generator dynamic performance
- To adapt the generator to the load

**10.2 Control system description**

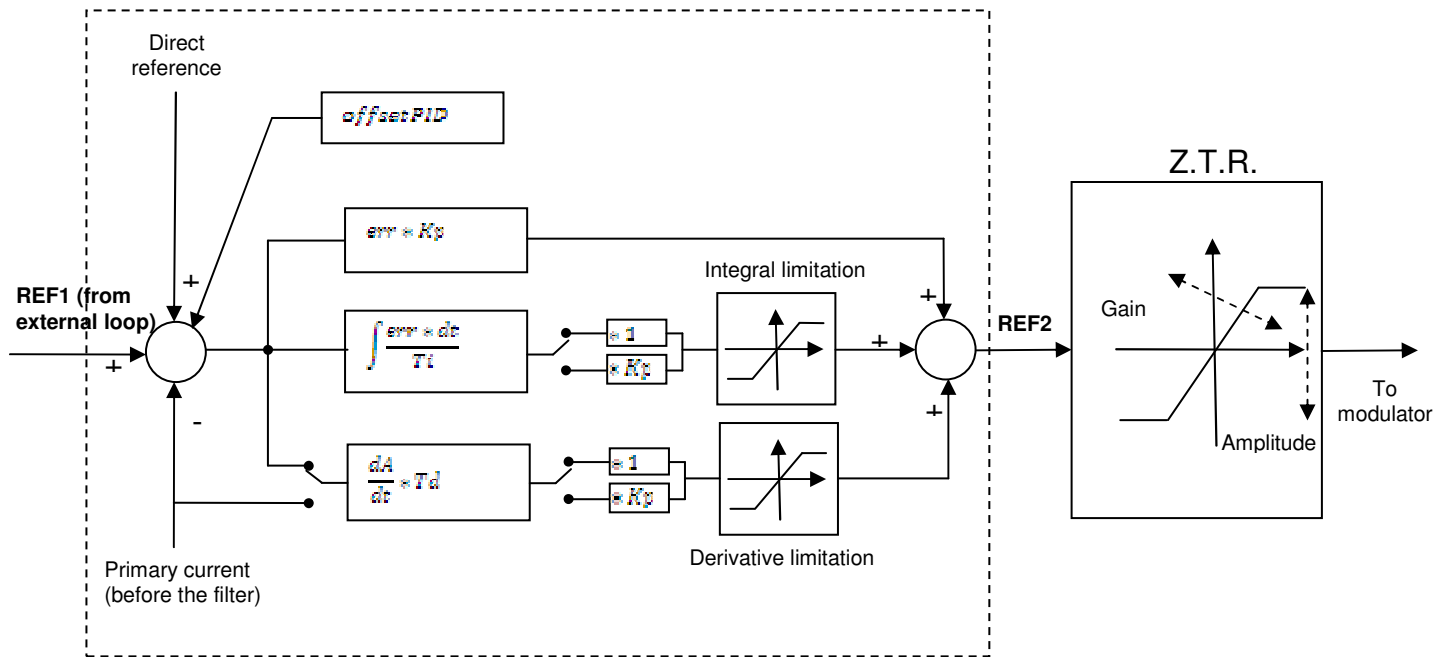
The control system is based on two PID loops in sequence, named “External and Internal”.

The external loop reacts a bit slower because of the delay introduced by the filter and provides only a correction value to the internal loop. It takes at the input the main reference while the feedback comes from the output current of the generator.

The internal loop is faster and its aim is to keep the current stable into the LC filter to a value very close to that of the output. It takes at the input a part of the main reference (current set up) + the external loop correction and the feedback is taken from the current before the filter.



### Internal loop



### 10.3 Parameters function and definition

**Lim. Slope:** range 0 ÷ 99 (0 = no limitation)

It limits the positive slope or negative slope of the reference in order to cancel eventual overshoots on the output current caused by variations of the reference too steep.

**Kriferimento diretto:** range 0 ÷ 20 (16 means 100%)

It's the amount of direct reference (set up current) to apply to the internal loop and is expressed in terms of sixteenths of the reference, for which 16 = 100% of the reference.

**Kp:** range 0 ÷ 10000

It's the proportional gain of the regulation loop (it causes the output to change according to the input error)

**Ti:** range dt ÷ 32000µS; 0 = integral disabled

It's the integration time of the regulation loop in microseconds, can be applied directly or multiplied by the parameter **Kp** (causes the output to change with a speed proportional to the error, sets the regulation point canceling out the offset).

**Td:** range dt ÷ 32000µS; 0 = derivative disabled

It's the derivative time of the regulation loop in microseconds, can be applied directly or multiplied by the parameter **Kp** (causes the output to change proportionally to the rate of change of the input, reduces the system response time).

*dt:* machine cycle time not changeable.

**Positive integral limitation:** range 0 ÷ 100%  
It's the maximum value the integral variable can take

**Negative integral limitation:** range 0 ÷ 100%  
It's the minimum value the integral variable can take

**Positive derivative limitation:** range 0 ÷ 100%  
It's the maximum value the derivative variable can take

**Negative derivative limitation:** range 0 ÷ 100%  
It's the minimum value the derivative variable can take

### **Z.T.R. block**

The Z.T.R. block provides for wave shape correction during the zero crossing (dead time correction) adding a further gain when the current crosses the zero. The fine tuning of this block is done with sinusoidal or triangular wave shapes.

**Z.T.R. gain:** range 0 ÷ 100  
It's additional gain during the period when the current crosses the zero.

**Z.T.R. amplitude:** range 0 ÷ 100  
It's the maximum correction value, previously calculated, for the modulator.

#### 10.4 Fine tuning procedure for the control system

**Note:** To change the control parameters it's necessary to have a PC connected to the serial port of the console and the software program "GesPWM". (Look at paragraph "GesPWM software")

The following paragraph provides only a guide for the fine tuning of the PID regulation loops since in many cases a fixed rule it's not applicable and regulations are made on the bases of personal experience.



**Note:** Eventual parameters modifications must be done by specialized personnel only because these modifications could cause malfunctions and/or generator damages.



**Note:** Before making any change to the regulation parameters it's advisable to take note of the existing parameters so to restore the initial setup.

In the majority of cases, in particular when it's necessary to adapt the generator to the load, it's sufficient to make light changes to some parameters following simple rules:

In case of sever capacitive load, lower the  $K_p$  coefficients and increase the integration time  $T_i$ .

In case of sever inductive load, increase the  $K_p$  coefficients and lower the integration time  $T_i$ .

### 10.5 Technique for fine tuning the loops

The fine tuning of the PID loops must be done in two phases, first the internal one and then the external.

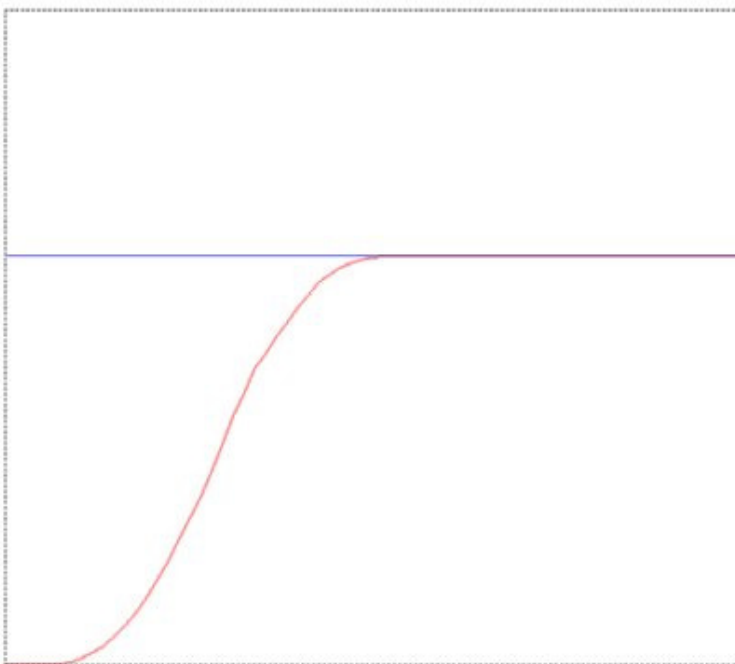
In order to fine tune and verify the dynamic performances of the generator, it's better to set the current with an external generator connected to the BOOSTER input, using a square waveform with the following test parameters:

Frequency => between  $F_{min}$  and  $F_{max}$  ( $F_{min} < f_r < F_{max}$ ).

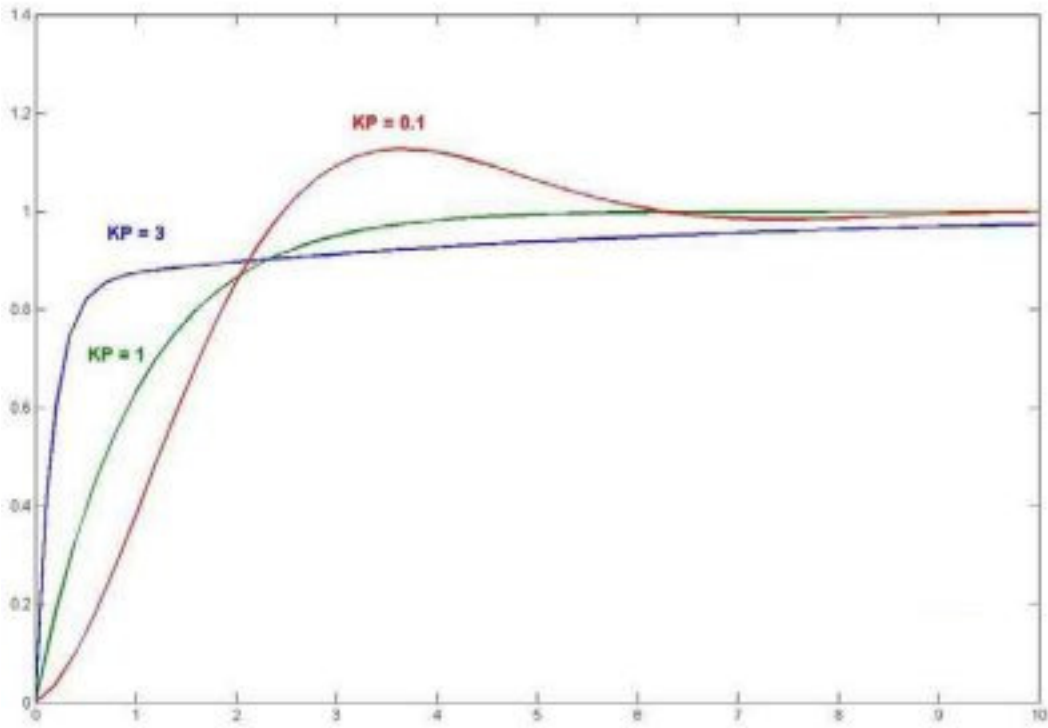
Amplitude pk-pk =>  $0 \div 10V$ .

Under these conditions set to zero the external loop parameters  $K_p$ ,  $T_i$ ,  $T_d$  and adjust the internal loop parameters  $K_p$ ,  $T_i$  and  $T_d$  to obtain the maximum performance.

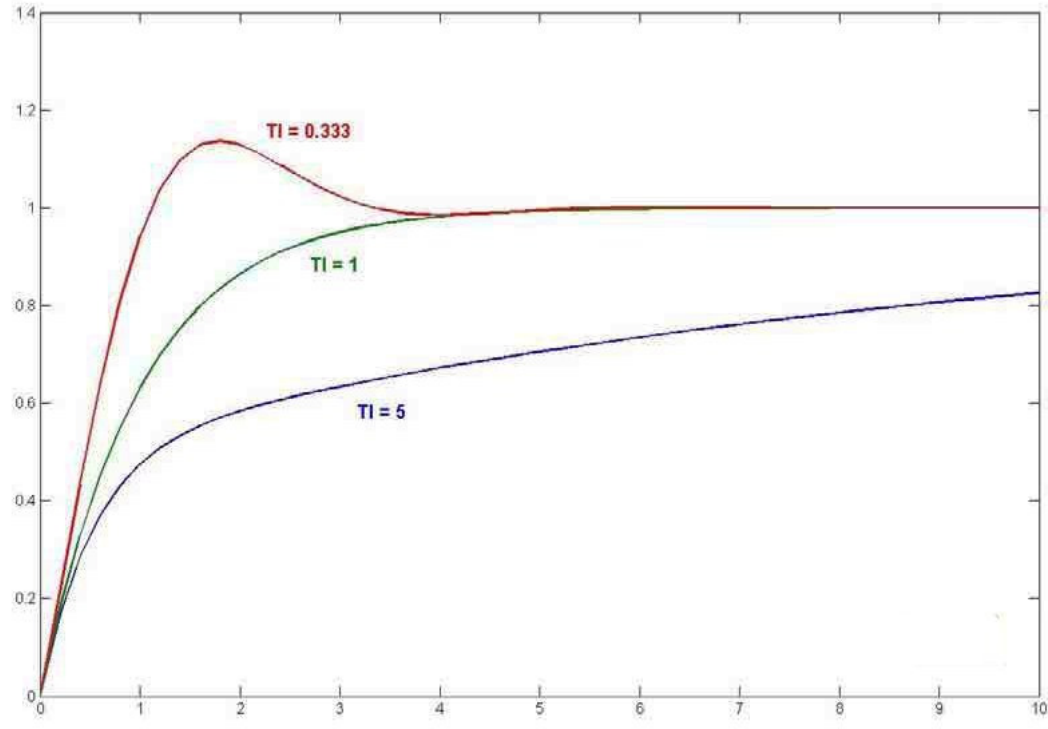
Once the internal loop has been fine tuned, the parameters  $K_p$ ,  $T_i$  and  $T_d$  of the external loop can be adjusted so to optimize the global performance.



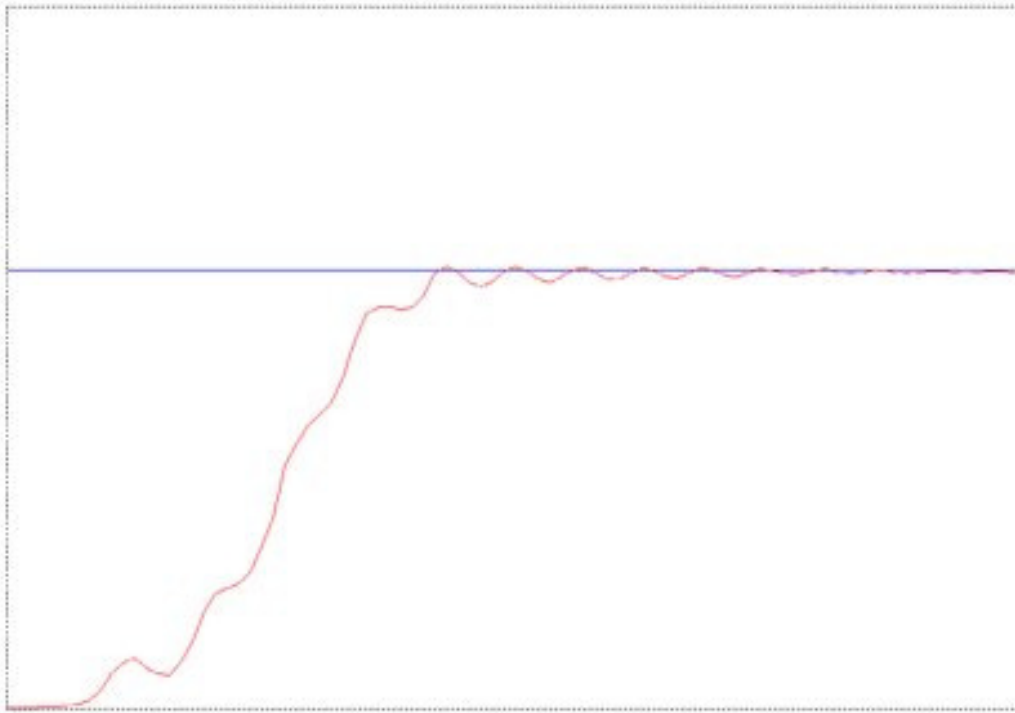
Ideal system response to a step function



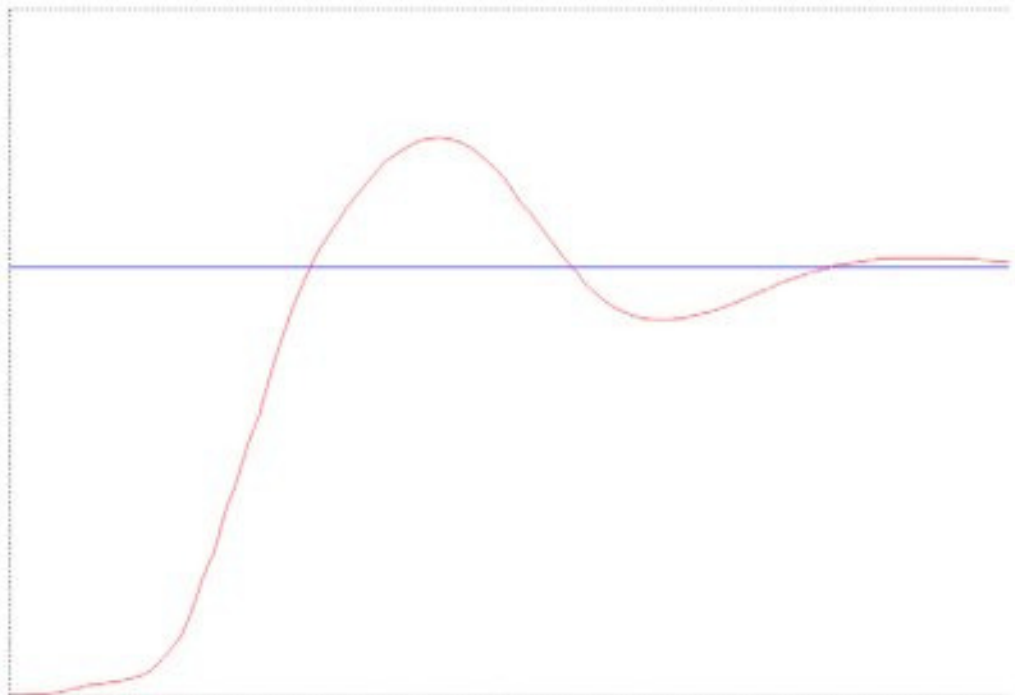
Step function response varying  $K_p$  with  $T_i$  constant



Step function response varying  $T_i$  with  $K_p$  constant



Step function response with  $K_p$  too high



Step function response with  $K_p$  and  $T_i$  too small



## 11 GesPWM software

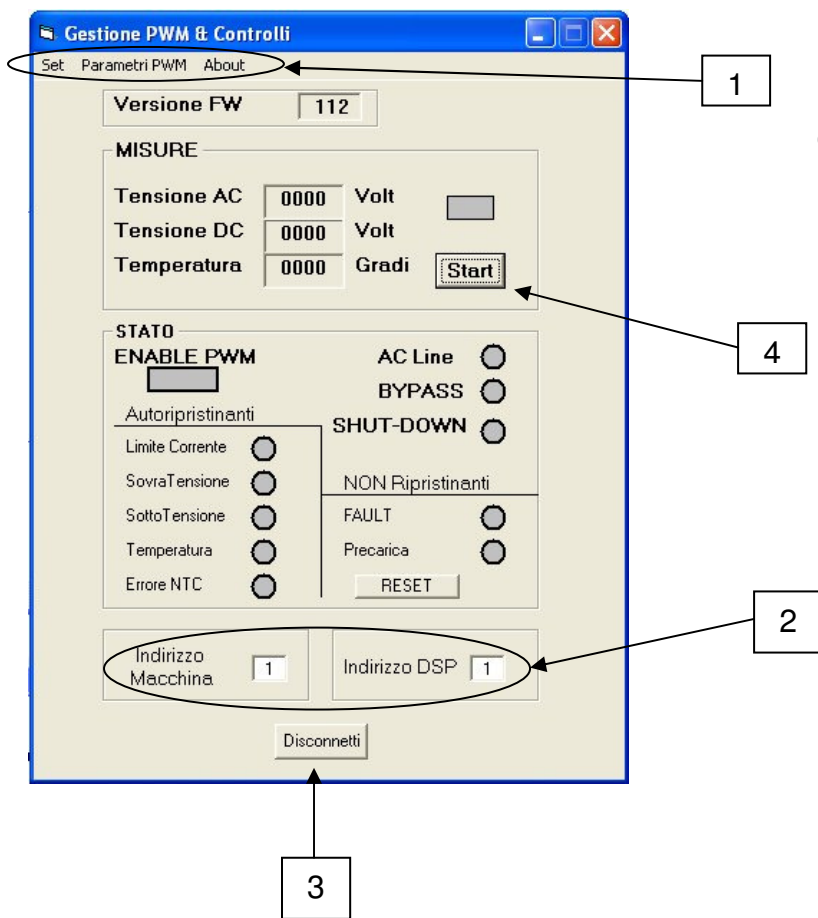
The “GesPWM” software is compatible with WINDOWS XP systems and allows to set up some important parameters of the generator; must be installed on a suitable PC and executed.

Such software has been designed to set up the parameters of divers equipments we manufacture, therefore it’s possible that some parameters might be shown that have no function for this particular generator.

### 11.1 Connecting the equipment to a PC

The equipment must be connected to the PC trough the serial port of the console by means of the specific cable.

After the connection has been done and the program GesPWM is launched, the following mask will appear:



By means of the menu “Set” it’s possible to select the parameters of the serial communication: PC port and baud-rate

The following parameters must be entered in position “2”:

- Device address (indirizzo macchina): serial address of the generator (look at the specific paragraph)
- DSP address (indirizzo DSP): serial address of the power module (if more power modules are present: 1 for module 1, 2 for module 2, etc..; in case of one module only, enter 1)

Once the parameters have been set up as shown above, push the button “3” to start the connection.

In this situation the mask will appear as shown above:

- pushing the button “4” the machine state is displayed with the readings of AC mains voltage, DC BUS voltage, temperature of heat sink and the state of the alarms. With the RESET button it's possible to reset some stored alarms.
- Selecting the menu “Parametri PWM” we step into the next mask where the PWM parameters are shown and could eventually be changed.

dt = 50 usec

2

The sampling timing “dt” is shown at point “2”.

In order to change any parameter just overwrite it and push ENTER on the keyboard.

The button “REFRESH” provides an over-reading of the parameters stored in the module memory.

**Note: the parameter “FeedForw” must not be changed**



**Note:** the loop parameters are independent for each scale, therefore it's important to pay attention to change the parameters for the scale that is really working.



**Attention:** in case of more modules in parallel, the regulation parameters must be the same for each module.