

**The first openable and flexible DC and AC current probe  
for easy and non-intrusive measurement**



**Range  $I_{pn}$  = 600 A - 1,000 A - 3,000 A - 5,000 A**

### Fields of application

Automotive – Industry – Telecom  
Energy – Rail – Air and Sea

For DC and AC current diagnostic and monitoring  
easy to implement both in the laboratory or on-site

### Benefits

- AC-only or DC+AC measurement
- Easy installation with dedicated kit: openable sensor which clips around busbars and cables
- Ideal for tight spaces and adaptable for small and large conductor sections
- Galvanic isolation between the primary and secondary circuit
- The Neel Effect® is a technology with no magnetic offset drift
- No measuring circuit insertion loss
- Current overload capability without damage up to 100kA
- Analog output and display screen available as option

### Specifications

Caractéristiques électriques				
Mode	AC		DC+AC	
Range of use	$\pm I_{pn}$		$\pm I_{pn}$	
Output/input ratio V/A	2 V / $I_{pn}$		2 V / $I_{pn}$	
Bandwidth (at -3dB)	[2 Hz-20 kHz]		[DC- 20 kHz]	
Accuracy refers to reading value	Gain error <sup>(1) (2)</sup>	$\pm 1 \% I_p \pm 0.1 \% I_{pn}$	Gain error <sup>(1) (2)</sup>	$\pm 1 \% I_p \pm 0.1 \% I_{pn}$
	Max phase shift <sup>(1)</sup>	$\pm 5^\circ$	Max phase shift <sup>(1)</sup>	$\pm 1^\circ$
Decentering error <sup>(2) (3)</sup>	$\pm 2 \%$		$\pm 3 \%$	
Thermal drift <sup>(2)</sup>	$\pm 0.01 \% / K$		$\pm 0.05 \% / K$	
Noise (RMS value)	1 mV		2 mV	

(1) at 50 Hz

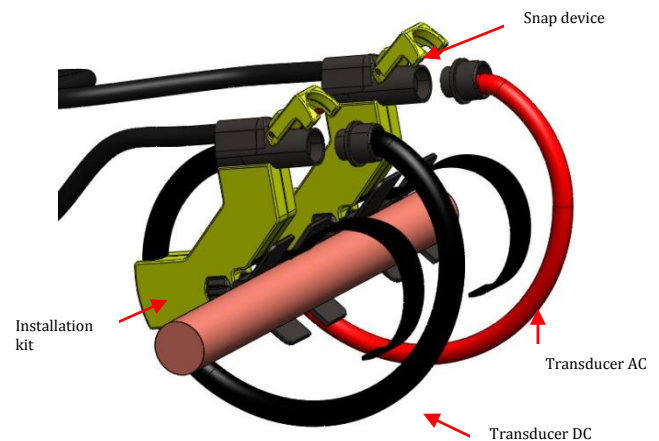
(2) Refers to read value

(3) Decentering error near snap device : 6 % in DC - 3 % in AC

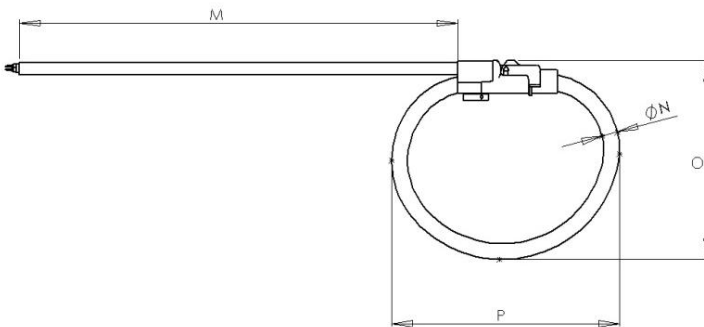


Other data	
Ambient operational temperature	from 0°C to 50°C
Transducers mass	Range 600 A: 520 g
	Range 1,000 A: 650 g
	Range 3,000 A: 1,050 g
	Range 5,000 A: 1,400 g
Conditioning unit mass	1,445 g
Safety standards	600 V CAT IV / 1,000 V CAT III
Standards	IEC 61010-1 / 61010-2-32
Power supply <sup>(4)</sup>	100-240 V / 45-65 Hz / 15 W

(4) Power supply included



## Transducer dimensions (in mm)



Range	600 A	1,000 A	3,000A	5,000A
M	2,000 <sup>(5)</sup>			
N	13.7	17.5	21	
O	112	176	226	255
P	123	193	218	250

(5) Extension available as option: 4 and 6 m

## Electronic Box and Power Supply Dimensions (in mm)

Top Views	Side Views
<p style="text-align: right;">260</p>	
<p>Additional options available:</p> <ul style="list-style-type: none"> <li>- Display screen</li> <li>- Sensor verification and/or calibration certificate</li> </ul> <p><i>This product has been designed with Lieu du Design, Région IDF et BPI France</i></p>	<h3>Power Supply</h3>